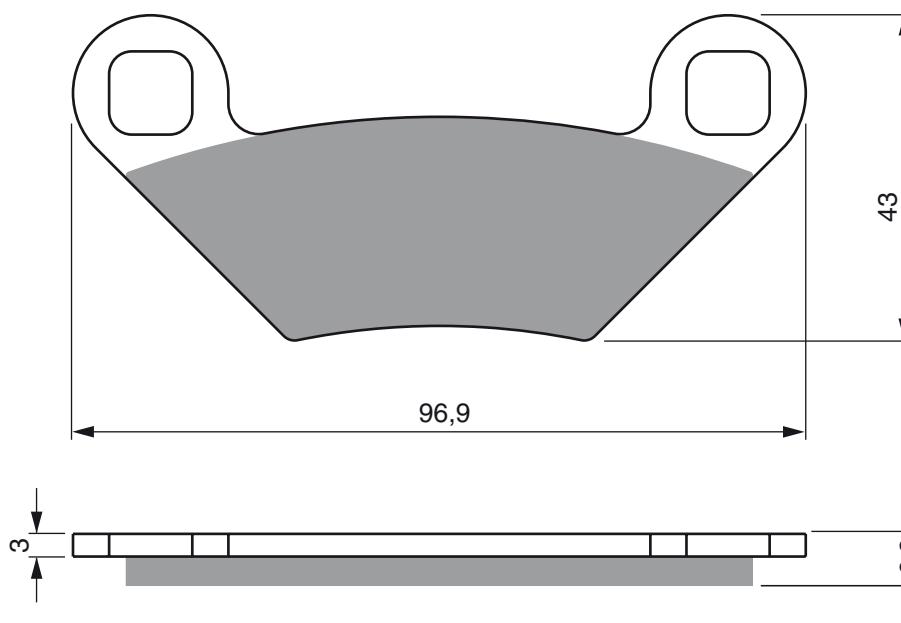


AD**K1****K5****S33
RACING**

PART NUMBER

300**POLARIS**

| | | | | |
|-----|----|------------------|----|-----|
| 500 | XP | Sportsman | 09 | F/R |
| 550 | | Sportsman XP EPS | 09 | F/R |
| 550 | | Sportsman X2 | 10 | F/R |
| 550 | XP | Sportsman | 09 | F/R |
| 850 | XP | Sportsman | 09 | F/R |
| 850 | XP | ES Sportsman | 09 | F/R |