

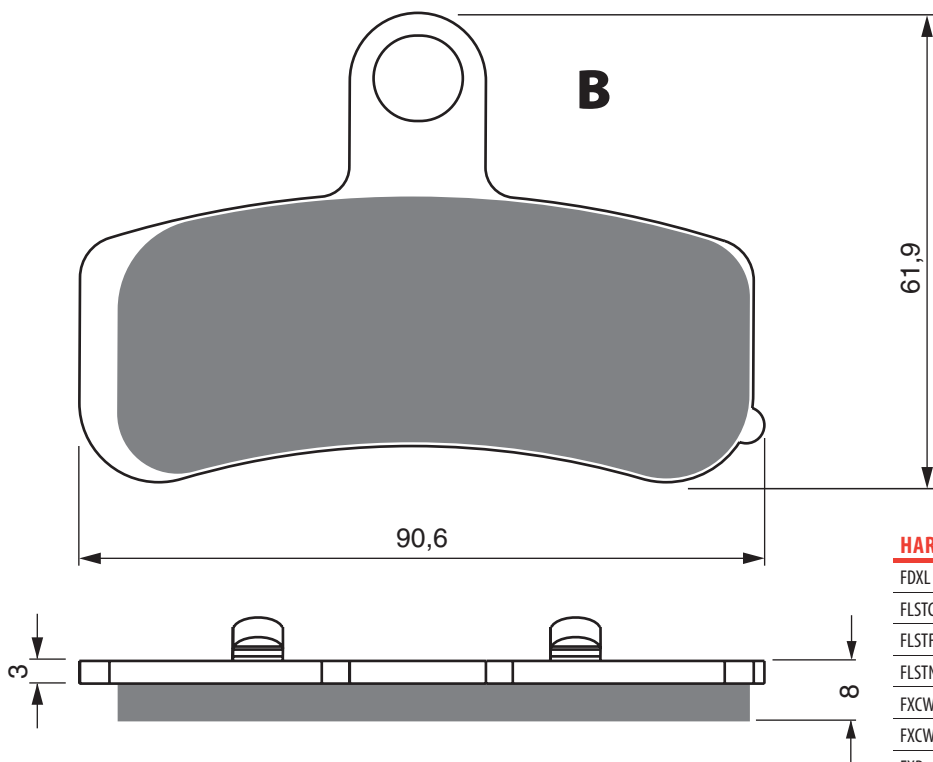
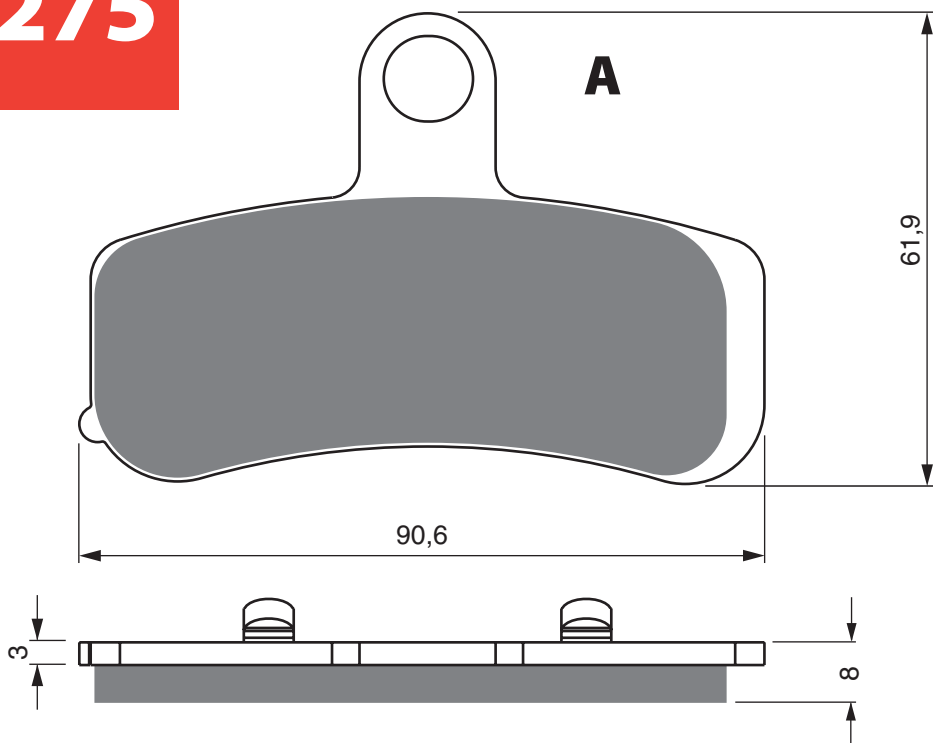
# Disc Brake Pads **GOLDfren**

PART NUMBER

**275**

**AD**

**S3  
RACING**



**HARLEY DAVIDSON**

FDXL	Low Rider	08 -	2F
FLSTC	Heritage Softail Classic	08 -	2F
FLSTF	Fat Boy	08 -	2F
FLSTN	Softail Deluxe	08 -	2F
FXCW	Rocker	08 -	2F
FXCWC	Rocker C	08 -	2F
FXD	Super Glide	08 -	2F
FXDB	Street Bob	08 -	2F
FXDC	Super Glide Custom	08 -	2F
FXDF	Fat Bob	08 -	2F
FXDWG	Wide Glide	08 -	2F
FXSTB	Night Train	08 -	2F
FXSTC	Softail Custom	08 -	2F

Best Quality Pads

[www.goldfren.cz](http://www.goldfren.cz)