

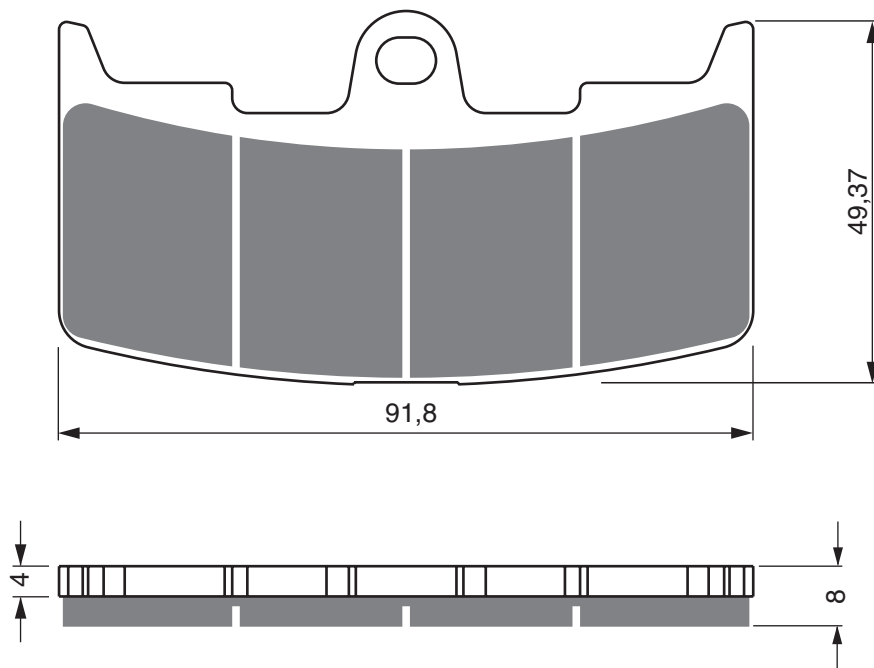
# Disc Brake Pads **GOLDfren**

AD

**S3**  
RACING

PART NUMBER

**270**



## **BUELL**

XB9R		02-07	F
XB9S		03-07	F
XB9SX	984 CityX	05-07	F
XB12	1200 SCG	06-07	F
XB12R	1200 Firebolt	04-07	F
XB12S	1200 Lightning	04-07	F
XB12SS	1200	06-07	F
XB12X	1200 Ulysses	06-	F